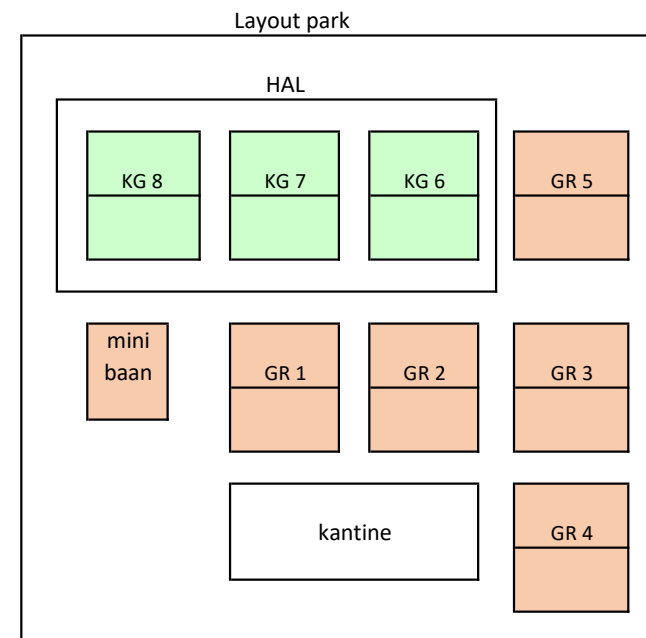


Speelschema zondag 30 maart 2025

|           | GR1      | GR2      | GR3      | GR4      | GR5 | HAL  |      |      |
|-----------|----------|----------|----------|----------|-----|------|------|------|
|           |          |          |          |          |     | KG 6 | KG 7 | KG 8 |
| 9-10 uur  | ROOD 2   | ROOD 2   | ROOD 2   |          |     |      |      |      |
| 10-11 uur |          |          |          |          |     |      |      |      |
| 11-12 uur | ORANJE 1 | ORANJE 1 | ORANJE 1 | ORANJE 1 |     |      |      |      |
| 12-13 uur |          |          |          |          |     |      |      |      |
| 13-14 uur |          |          |          |          |     |      |      |      |
| 14-15 uur |          |          |          |          |     |      |      |      |
| 15-16 uur |          |          |          |          |     |      |      |      |
| 16-17 uur |          |          |          |          |     |      |      |      |
| 17-18 uur |          |          |          |          |     |      |      |      |
| 18-19 uur |          |          |          |          |     |      |      |      |
| 19-20 uur |          |          |          |          |     |      |      |      |

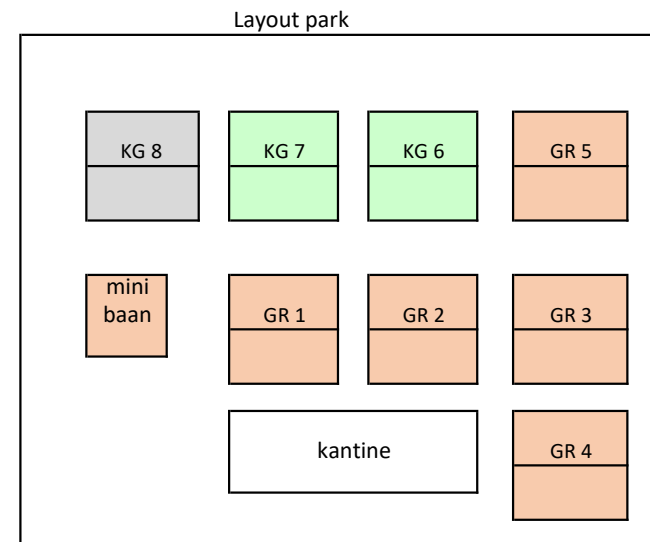


wedstrijdleiding: Jeugdcommissie + technische commissie

| thuissteam | baansort | begintijd | tegenstander | opmerking |
|------------|----------|-----------|--------------|-----------|
| ROOD 2     | GR       | 09:00     |              |           |
| ORANJE 1   | GR       | 11:00     |              |           |

Speelschema zaterdag 5 april 2025

|           | GR1     | GR2     | GR3  | GR4 | GR5  | KG 6 | KG 7 | KG 8 |
|-----------|---------|---------|------|-----|------|------|------|------|
| 9-10 uur  | DD35+ 2 | DD35+ 2 | G 5  | H 5 | G 5  |      |      |      |
| 10-11 uur |         |         |      |     |      |      |      |      |
| 11-12 uur | DD35+ 2 | H 5     | H 5  | H 5 | G 5  | H 1  | H 1  |      |
| 12-13 uur | DD35+ 2 | H 5     | G 5  | H 5 | G 5  | H 1  | H 1  |      |
| 13-14 uur |         |         |      |     |      |      |      |      |
| 14-15 uur | D 1     | D 1     | G 1  | D 1 | G 1  | H 1  | H 1  |      |
| 15-16 uur |         |         |      |     |      |      |      |      |
| 16-17 uur | D 1     | G 3     | GD 1 | G 3 | G 1  |      |      |      |
| 17-18 uur | D 1     | G 1     | GD 1 | G 3 | G 1  |      |      |      |
| 18-19 uur |         |         |      |     |      |      |      |      |
| 19-20 uur | D 1     | G 3     | GD 1 | G 3 | GD 1 |      |      |      |



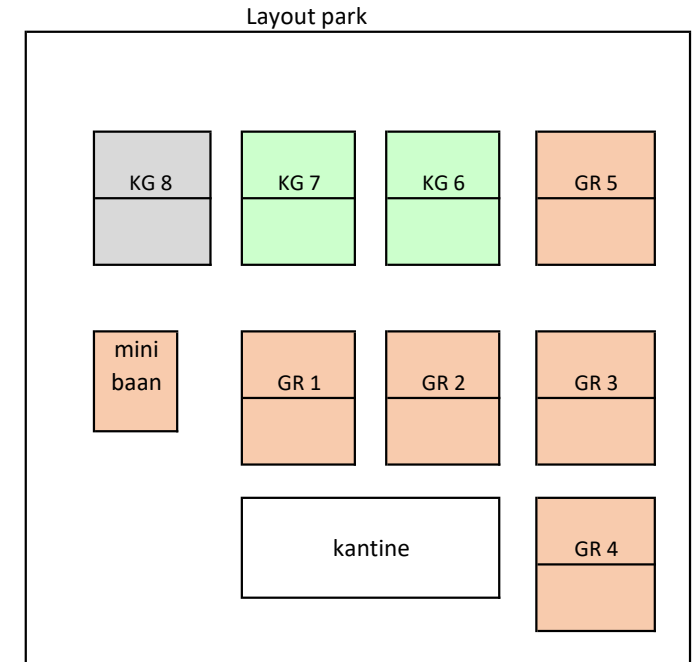
competitieleider

9:00-13.30: Gemengd 5  
13:30-einde: Dames 1

| thuis team           | baansoort | begintijd | tegenstander       | opmerking                               |
|----------------------|-----------|-----------|--------------------|---|
| Dames 35+ dubbel 2   | GR        | 09:00     | VAN STARKENBORGH 1 |   |
| Gemengd 5            | GR        | 09:00     | HAREN GN 5         |   |
| Heren 5              | GR        | 09:00     | DE HERTENKAMP 2    |   |
| Heren 1              | KG        | 10:30     | LEO 1              |   |
| Dames 1              | GR        | 14:00     | EMMEN 1            |   |
| Gemengd 1            | GR        | 14:00     | NIENOORD 1         |   |
| Gemengd 3            | GR        | 15:30     | VAN STARKENBORGH 2 |   |
| Gemengd dubbel 1     | GR        | 15:30     | PEIZE 1            |   |
| Gemengd 35+ dubbel 1 | extern    | 11:00     | `T FIVELVELD 3     | Wedstrijd wordt gespeeld bij Fivelveld. |
| Gemengd 8            | extern    | 09:00     | GRONINGER LTB 6    | Winsum                                  |
| Heren 3              | extern    | 13:00     | HAREN GN 2         | Winsum                                  |

Speelschema zondag 6 april 2025

|           | GR1      | GR2       | GR3      | GR4     | GR5     | KG 6 | KG 7 | KG 8 |
|-----------|----------|-----------|----------|---------|---------|------|------|------|
| 9-10 uur  |          |           |          |         |         |      |      |      |
| 10-11 uur | ORANJE 2 | ORANJE 2  | ORANJE 2 | Jun14 2 | Jun14 2 |      |      |      |
| 11-12 uur |          |           |          |         |         |      |      |      |
| 12-13 uur | GROEN 1  | GROEN 1/2 | GROEN 2  | J17 2   | J17 2   |      |      |      |
| 13-14 uur |          |           |          | J17 2   | J17 2   | G 1  | G 1  |      |
| 14-15 uur |          |           |          |         |         |      |      |      |
| 15-16 uur | Gem17 1  | G 3       | G 3      | J17 2   | J17 2   | G 1  |      |      |
| 16-17 uur | Gem17 1  | Gem17 1   | G 3      | Gem17 1 |         | G 1  | G 1  |      |
| 17-18 uur |          |           |          |         |         |      |      |      |
| 18-19 uur | Gem17 1  | Gem17 1   | G 3      | G 3     |         |      |      |      |
| 19-20 uur |          |           |          |         |         |      |      |      |



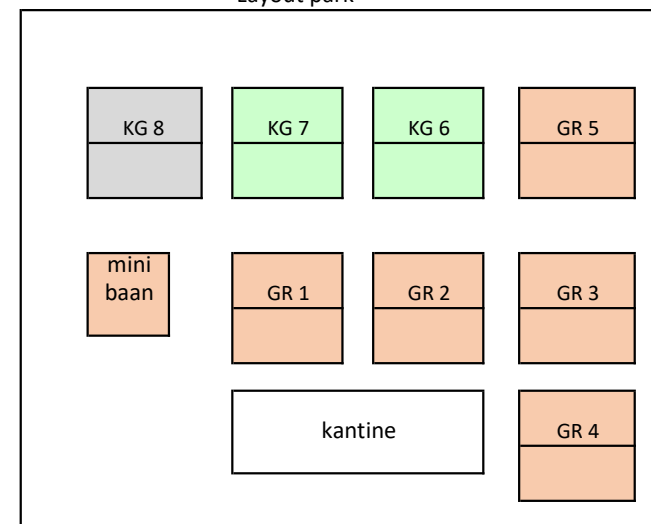
wedstrijdleiding: 9:00-14:00: Jeugdcommissie + technische commissie; 14:00-einde: Gemengd 3

| thuis team | baansoort | begintijd | tegenstander   | opmerking |
|------------|-----------|-----------|----------------|-----------|
| ORANJE 2   | GR        | 09:00     |                |           |
| Jun14 2    | GR        | 09:00     | HAREN GN 2     |           |
| J17 2      | GR        | 11:30     | STEENWIJK 1    |           |
| GROEN 2    | GR        | 11:30     | HAREN GN 3     |           |
| GROEN 1    | GR        | 11:30     | `T FIVELVELD 1 |           |
| G 1        | KG        | 13:00     | REO 1          |           |
| Gem17 1    | GR        | 14:30     | RUNA 1         |           |
| G 3        | GR        | 14:30     | VERACKET 4     |           |

Speelschema zaterdag 12 april 2025

|           | GR1  | GR2    | GR3     | GR4     | GR5 | KG 6 | KG 7 | KG 8 |
|-----------|------|--------|---------|---------|-----|------|------|------|
| 9-10 uur  | GD 2 | GD 2   | G 4     | H35+ 1  | G 4 | H 2  | H 2  |      |
| 10-11 uur | GD 2 | H35+ 1 | H35+ 1  | H35+ 1  | G 4 | H 2  | H 2  |      |
| 11-12 uur |      |        |         |         |     |      |      |      |
| 12-13 uur | GD 2 | H35+ 1 | G 4     | H35+ 1  | G 4 | H 2  | H 2  |      |
| 13-14 uur |      |        |         |         |     |      |      |      |
| 14-15 uur | H 7  | H 7    | G 7     | H 7     | G 7 | H 4  | H 4  |      |
| 15-16 uur | H 7  | G 2    | G 2     | DD35+ 1 | G 7 | H 4  | H 4  |      |
| 16-17 uur |      |        |         |         |     |      |      |      |
| 17-18 uur | H 7  | G 2    | G 7     | DD35+ 1 | G 7 | H 4  | H 4  |      |
| 18-19 uur | H 7  | G 2    | DD35+ 1 | DD35+ 1 | G 2 |      |      |      |
| 19-20 uur |      |        |         |         |     |      |      |      |

Layout park



competitieleader

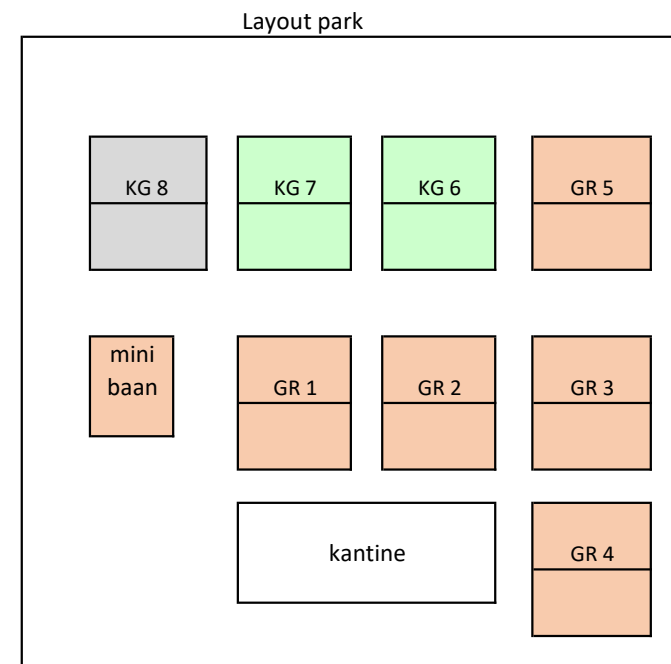
9:00-13.30: Heren 35+ 1

13:30-einde: Heren 7

| thuis team         | baansoort | begintijd | tegenstander      | opmerking |
|--------------------|-----------|-----------|-------------------|-----------|
| Gemengd 4          | GR        | 09:00     | BE QUICK 1887 2   |           |
| Gemengd dubbel 2   | GR        | 09:00     | ADUARD 1          |           |
| Heren 35+ 1        | GR        | 09:00     | WOLDENDORP 1      |           |
| Heren 2            | KG        | 09:00     | DE STIRUM 2       |           |
| Gemengd 7          | GR        | 14:00     | CREAM CRACKERS 14 |           |
| Heren 7            | GR        | 14:00     | `T NYLAN 9        |           |
| Heren 4            | KG        | 14:00     | MUNTENDAM 1       |           |
| Dames 35+ dubbel 1 | GR        | 15:30     | HOOGKERK 1        |           |
| Gemengd 2          | GR        | 15:30     | TAM 3             |           |
| Gemengd 6          | extern    | 09:00     | NIENOORD 2        | Winsum    |
| Heren 6            | extern    | 13:00     | CREAM CRACKERS 12 | Winsum    |

Speelschema zondag 13 april 2025

|           | GR1   | GR2   | GR3     | GR4     | GR5     | KG 6    | KG 7    | KG 8 |
|-----------|-------|-------|---------|---------|---------|---------|---------|------|
| 9-10 uur  | J17 3 | J17 3 | J17 3   | Gem17 2 | J17 3   |         |         |      |
| 10-11 uur |       |       |         |         |         |         |         |      |
| 11-12 uur | J17 3 | J17 3 | Gem17 2 | Gem17 2 | Gem17 2 | Jun14 1 | Jun14 1 |      |
| 12-13 uur |       |       |         |         |         |         |         |      |
| 13-14 uur | J17 1 | J17 1 | Gem17 2 | Gem17 2 | M17 1   | G 2     | G 2     |      |
| 14-15 uur | J17 1 | J17 1 | M17 1   | M17 1   | M17 1   | G 2     |         |      |
| 15-16 uur |       |       |         |         |         |         |         |      |
| 16-17 uur | J17 1 | J17 1 | M17 1   | H 2     | M17 1   | G 2     | G 2     |      |
| 17-18 uur |       | H 2   | H 2     | H 2     |         |         |         |      |
| 18-19 uur |       |       |         |         |         |         |         |      |
| 19-20 uur |       |       | H 2     | H 2     |         |         |         |      |



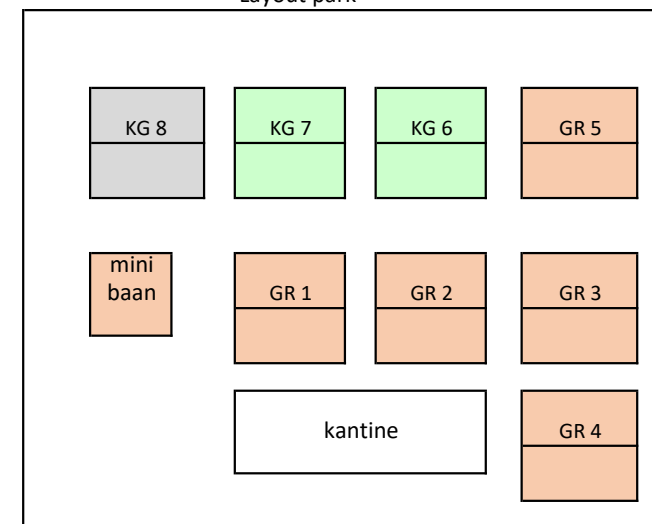
wedstrijdleiding: 9:00-15:00: Jeugdcommissie + technische commissie; 15:00-einde: Heren 2

| thuissteam | baansoort | begintijd | tegenstander     | opmerking |
|------------|-----------|-----------|------------------|-----------|
| J17 3      | GR        | 09:00     | CREAM CRACKERS 3 |           |
| Gem17 2    | GR        | 09:00     | TIOL 1           |           |
| Jun14 1    | KG        | 10:00     | JOURE 1          |           |
| M17 1      | GR        | 12:30     | GRONINGER LTB 1  |           |
| J17 1      | GR        | 12:30     | ALMERE 1         |           |
| G 2        | KG        | 13:00     | VERACKET 3       |           |
| H 2        | GR        | 15:30     | VERACKET 4       |           |

Speelschema zaterdag 19 april 2025

|           | GR1 | GR2 | GR3 | GR4 | GR5 | KG 6 | KG 7 | KG 8 |
|-----------|-----|-----|-----|-----|-----|------|------|------|
| 9-10 uur  | H 1 | H 1 | H 7 | H 7 | H 7 | D 1  | D 1  |      |
| 10-11 uur |     |     |     |     |     |      |      |      |
| 11-12 uur | H 1 | H 1 | G 5 | G 5 | H 7 | D 1  | D 1  |      |
| 12-13 uur | H 1 | H 1 | H 7 | G 5 | H 7 | D 1  | D 1  |      |
| 13-14 uur |     |     |     |     |     |      |      |      |
| 14-15 uur | G 8 | G 8 | G 5 | G 5 | H 5 | H 3  | H 3  |      |
| 15-16 uur |     |     |     |     |     |      |      |      |
| 16-17 uur | G 8 | G 1 | H 5 | G 1 | H 5 | H 3  | H 3  |      |
| 17-18 uur | G 8 | G 8 |     | G 1 | H 5 | H 3  | H 3  |      |
| 18-19 uur |     |     |     |     |     |      |      |      |
| 19-20 uur |     | G 1 | H 5 | G 1 | H 5 |      |      |      |

Layout park



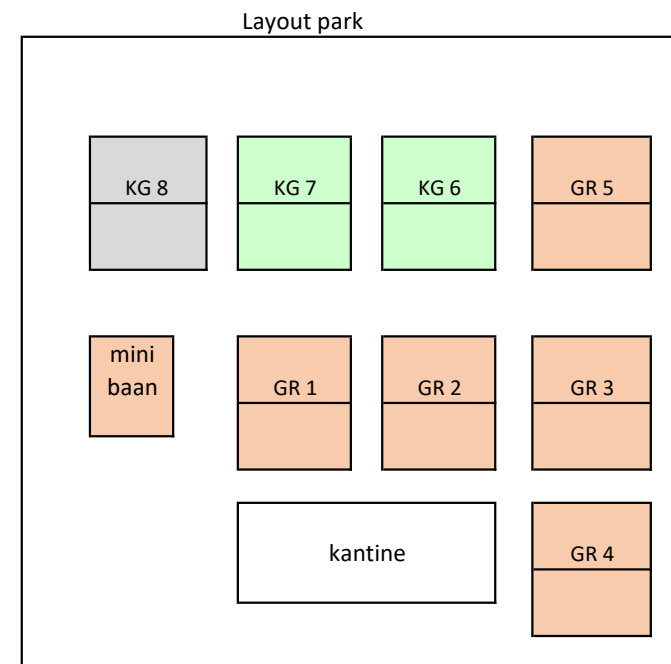
competitleider

9:00-13.30: Heren 1  
 13:30-einde: Gemengd 8

| thuis team       | baansoort | begintijd | tegenstander      | opmerking |
|------------------|-----------|-----------|-------------------|-----------|
| Heren 1          | GR        | 09:00     | GRONINGER LTB 2   |           |
| Heren 7          | GR        | 09:00     | CREAM CRACKERS 13 |           |
| Dames 1          | KG        | 09:00     | UNESWIDO 1        |           |
| Gemengd 5        | GR        | 10:30     | GSTC 2            |           |
| Gemengd 8        | GR        | 14:00     | STIENS 1          |           |
| Heren 5          | GR        | 14:00     | CREAM CRACKERS 14 |           |
| Heren 3          | KG        | 14:00     | ALOE 1            |           |
| Gemengd 1        | GR        | 15:30     | HAREN GN 4        |           |
| Gemengd 3        | extern    | 09:00     | CREAM CRACKERS 12 | Winsum    |
| Gemengd dubbel 1 | extern    | 13:00     | TEN BOER 1        | Winsum    |

Speelschema maandag 21 april 2025

|           | GR1     | GR2       | GR3     | GR4   | GR5   | KG 6    | KG 7    | KG 8 |
|-----------|---------|-----------|---------|-------|-------|---------|---------|------|
| 9-10 uur  | ROOD 1  | ROOD 1    | ROOD 1  | J17 2 | J17 2 |         |         |      |
| 10-11 uur |         |           |         |       |       |         |         |      |
| 11-12 uur | GROEN 1 | GROEN 1/2 | GROEN 2 | J17 2 | J17 2 | Jun14 2 | Jun14 2 |      |
| 12-13 uur |         |           |         | J17 2 | J17 2 |         |         |      |
| 13-14 uur |         |           |         |       |       |         |         |      |
| 14-15 uur | G 1     | G 1       | H 1     | H 1   | H 1   |         |         |      |
| 15-16 uur |         |           |         |       |       |         |         |      |
| 16-17 uur | G 1     |           | G 3     | G 3   | H 1   |         |         |      |
| 17-18 uur | G 1     | G 1       | H 1     | G 3   | H 1   |         |         |      |
| 18-19 uur |         |           |         |       |       |         |         |      |
| 19-20 uur |         |           | G 3     | G 3   |       |         |         |      |



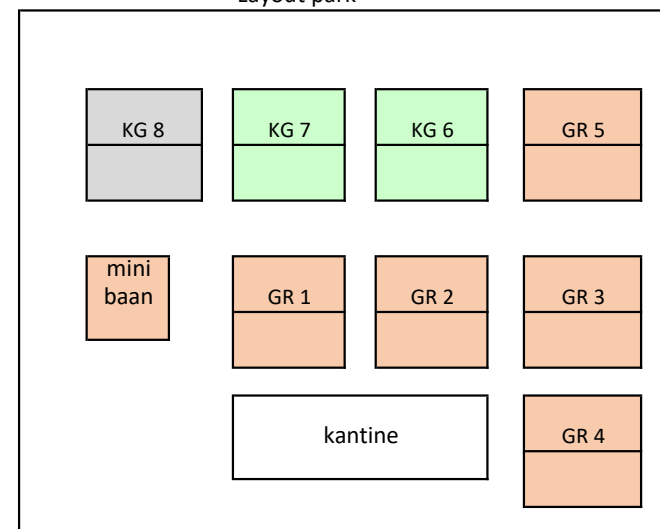
wedstrijdleiding: 9:00-13:30: Jeugdcommissie + technische commissie; 13:30-einde: Gemengd 1

| thuis team | baansoort | begintijd | tegenstander     | opmerking |
|------------|-----------|-----------|------------------|-----------|
| ROOD 1     | GR        | 09:00     |                  |           |
| Jun14 2    | KG        | 10:00     | ZUIDLAREN 1      |           |
| GROEN 2    | GR        | 10:30     | CREAM CRACKERS 1 |           |
| GROEN 1    | GR        | 10:30     | HAREN GN 1       |           |
| J17 2      | GR        | 09:00     | GRONINGER LTB 1  |           |
| H 1        | GR        | 14:00     | DE HERTENKAMP 1  |           |
| G 1        | GR        | 14:00     | DLTC-DRACHTEN 4  |           |
| G 3        | GR        | 15:30     | GRONINGER LTB 2  |           |

Speelschema zaterdag 10 mei 2025

|           | GR1    | GR2    | GR3    | GR4 | GR5 | KG 6    | KG 7    | KG 8 |
|-----------|--------|--------|--------|-----|-----|---------|---------|------|
| 9-10 uur  | H 6    | H 6    | H 4    | H 6 | H 4 | G 6     | G 6     |      |
| 10-11 uur |        |        |        |     |     |         |         |      |
| 11-12 uur | H 6    | G 4    | H 4    | G 4 | H 4 | G 6     |         |      |
| 12-13 uur | H 6    | H 6    |        | G 4 | H 4 | G 6     | G 6     |      |
| 13-14 uur |        |        | H35+ 1 |     |     |         |         |      |
| 14-15 uur | H35+ 1 | G 4    | H35+ 1 | G 4 | H 4 | DD35+ 1 | DD35+ 1 |      |
| 15-16 uur |        |        |        |     |     |         |         |      |
| 16-17 uur | G 2    | G 2    | H35+ 1 | H 2 | H 2 | DD35+ 1 | GD 2    |      |
| 17-18 uur | G 2    | H35+ 1 | H35+ 1 | H 2 | H 2 | DD35+ 1 | GD 2    |      |
| 18-19 uur |        |        |        |     |     |         |         |      |
| 19-20 uur | G 2    | G 2    | H 2    | H 2 |     | GD 2    | GD 2    |      |

Layout park



competitieleider

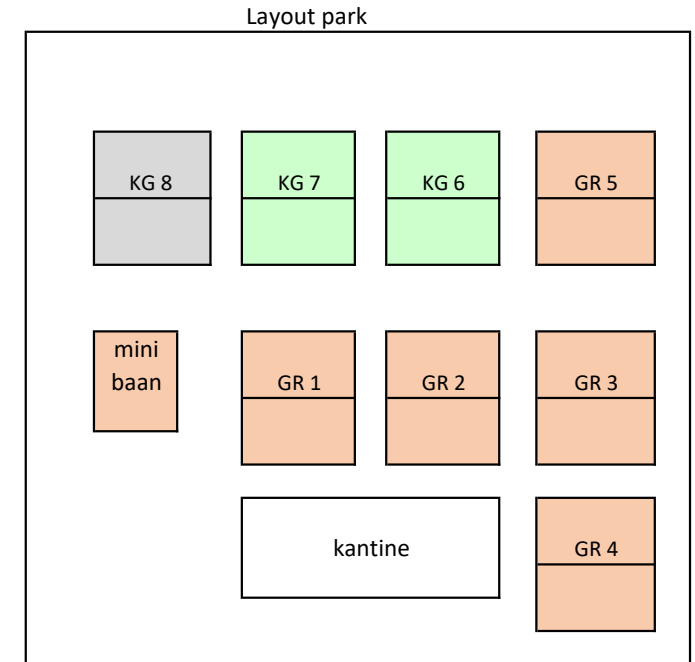
9:00-13:30 Heren 6  
 13:30-einde Heren 35+ 1

| thuissteam         | baansoort | begintijd | tegenstander     | opmerking |
|--------------------|-----------|-----------|------------------|-----------|
| Heren 4            | GR        | 09:00     | TIOLO 1          |           |
| Heren 6            | GR        | 09:00     | SPR 1            |           |
| Gemengd 6          | KG        | 09:00     | DELFIJL 1        |           |
| Gemengd 4          | GR        | 10:30     | HAREN GN 6       |           |
| Heren 35+ 1        | GR        | 12:30     | REO 1            |           |
| Dames 35+ dubbel 1 | KG        | 14:00     | NIENOORD 2       |           |
| Gemengd 2          | GR        | 15:30     | VERACKET 5       |           |
| Heren 2            | GR        | 15:30     | VERACKET 2       |           |
| Gemengd dubbel 2   | KG        | 15:30     | WATEC 1          |           |
| Gemengd 7          | extern    | 09:00     | GSTC 4           | Winsum    |
| Heren 7            | extern    | 13:00     | GRONINGER LTB 10 | Winsum    |



Speelschema zondag 11 mei 2025

|           | GR1     | GR2     | GR3     | GR4     | GR5     | KG 6  | KG 7  | KG 8 |
|-----------|---------|---------|---------|---------|---------|-------|-------|------|
| 9-10 uur  |         |         | Gem17 2 | Gem17 2 | Gem17 2 |       |       |      |
| 10-11 uur | Jun14 1 | Jun14 1 |         |         |         | M17 1 | M17 1 |      |
| 11-12 uur |         |         | J17 1   | J17 1   | Gem17 2 |       |       |      |
| 12-13 uur | J17 3   | Gem17 2 | J17 1   | J17 1   | Gem17 2 | M17 1 | M17 1 |      |
| 13-14 uur |         |         |         |         |         | M17 1 | M17 1 |      |
| 14-15 uur | J17 3   | J17 3   | J17 1   | J17 1   | J17 3   |       |       |      |
| 15-16 uur | J17 3   | J17 3   |         |         |         |       |       |      |
| 16-17 uur |         |         | G 2     | H 2     | G 2     |       |       |      |
| 17-18 uur | H 2     |         | H 2     | H 2     | G 2     |       |       |      |
| 18-19 uur |         |         |         |         |         |       |       |      |
| 19-20 uur | H 2     |         | G 2     | H 2     | G 2     |       |       |      |

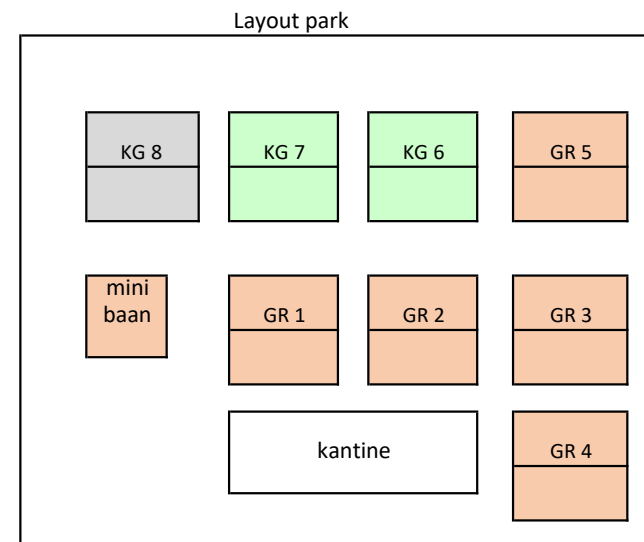


wedstrijdleiding: 9:00-15:00: Jeugdcommissie + technische commissie; 15:00-einde: Gemengd 2

| thuis team | baansoort | begintijd | tegenstander      | opmerking |
|------------|-----------|-----------|-------------------|-----------|
| Gem17 2    | GR        | 09:00     | TCO-OOSTERWOLDE 1 |           |
| Jun14 1    | GR        | 09:00     | GRONINGER LTB 2   |           |
| M17 1      | KG        | 10:00     | PEIZE 1           |           |
| J17 1      | GR        | 10:30     | SPRENKELAAR 1     |           |
| J17 3      | GR        | 12:00     | MUSSELKANAAL 1    |           |
| G 2        | GR        | 15:30     | GRONINGER LTB 1   |           |
| H 2        | GR        | 15:30     | CREAM CRACKERS 2  |           |

Speelschema zaterdag 17 mei 2025

|           | GR1     | GR2     | GR3     | GR4 | GR5 | KG 6    | KG 7    | KG 8 |
|-----------|---------|---------|---------|-----|-----|---------|---------|------|
| 9-10 uur  | GD35+ 1 | GD35+ 1 | G 2     | H 3 | G 2 | DD35+ 1 | DD35+ 1 |      |
| 10-11 uur |         |         |         |     |     |         |         |      |
| 11-12 uur | GD35+ 1 | H 3     | H 3     | H 3 | G 2 | DD35+ 1 | DD35+ 1 |      |
| 12-13 uur | GD35+ 1 | H 3     | G 2     | H 3 | G 2 |         |         |      |
| 13-14 uur |         |         |         |     |     | H35+ 1  | H35+ 1  |      |
| 14-15 uur | G 3     | G 3     | H 5     | H 5 | H 5 |         |         |      |
| 15-16 uur |         |         |         |     |     | H35+ 1  | H35+ 1  |      |
| 16-17 uur | G 3     | G 7     | DD35+ 2 | G 7 | H 5 |         |         |      |
| 17-18 uur |         |         |         |     |     | H35+ 1  | H35+ 1  |      |
| 17-18 uur | G 3     | G 3     | DD35+ 2 | G 7 | H 5 |         |         |      |
| 18-19 uur |         |         |         |     |     |         |         |      |
| 19-20 uur | DD35+ 2 | G 7     | DD35+ 2 | G 7 | H 5 |         |         |      |



competitieleader

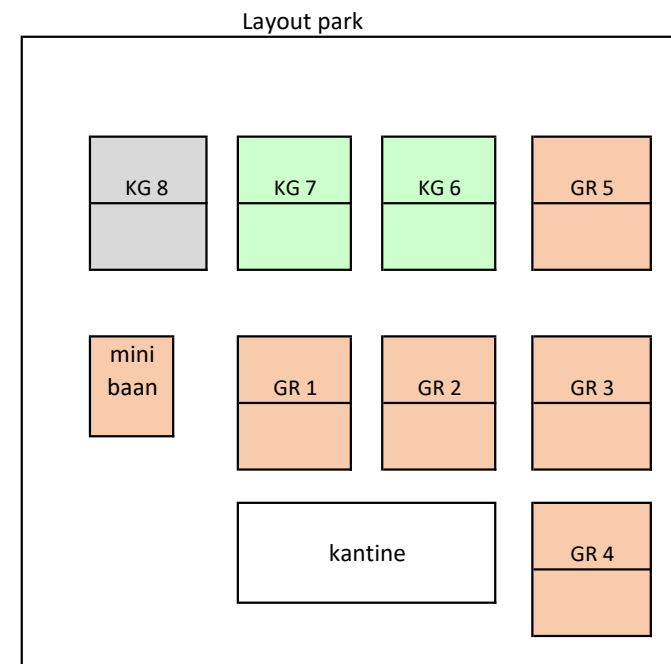
9:00-13.30: Gemengd 2

13:30-einde: Gemengd 3

| thuis team           | baansoort | begintijd | tegenstander      | opmerking |
|----------------------|-----------|-----------|-------------------|-----------|
| Gemengd 2            | GR        | 09:00     | GRONINGER LTB 5   |           |
| Gemengd 35+ dubbel 1 | GR        | 09:00     | HOOGKERK 1        |           |
| Heren 3              | GR        | 09:00     | CREAM CRACKERS 11 |           |
| Dames 35+ dubbel 1   | KG        | 09:00     | NORG 1            |           |
| Heren 35+ 1          | KG        | 13:00     | AMELTE 1          |           |
| Gemengd 3            | GR        | 14:00     | TAM 3             |           |
| Heren 5              | GR        | 14:00     | VERACKET 3        |           |
| Dames 35+ dubbel 2   | GR        | 15:30     | HOOGKERK 1        |           |
| Gemengd 7            | GR        | 15:30     | TAM 4             |           |
| Gemengd 5            | extern    | 09:00     | CREAM CRACKERS 15 | Winsum    |
| Heren 1              | extern    | 13:00     | TAM 3             | Winsum    |

Speelschema zondag 18 mei 2025

|           | GR1     | GR2       | GR3     | GR4     | GR5     | KG 6 | KG 7 | KG 8 |
|-----------|---------|-----------|---------|---------|---------|------|------|------|
| 9-10 uur  | ROOD 2  | ROOD 2    | ROOD 2  |         |         |      |      |      |
| 10-11 uur |         |           |         | GROEN 2 | GROEN 2 |      |      |      |
| 11-12 uur | Jun14 1 | Jun14 1/2 | Jun14 2 |         |         | H 1  | H 1  |      |
| 12-13 uur |         |           |         | J17 1   | J17 1   | H 1  | H 1  |      |
| 13-14 uur |         |           |         | J17 1   | J17 1   | H 1  | H 1  |      |
| 14-15 uur | Gem17 1 | Gem17 1   | H 2     |         |         |      |      |      |
| 15-16 uur |         |           |         | J17 1   | J17 1   |      |      |      |
| 16-17 uur | Gem17 1 | Gem17 1   | H 2     |         |         |      |      |      |
| 17-18 uur | Gem17 1 | Gem17 1   | H 2     | H 2     |         |      |      |      |
| 18-19 uur |         |           |         |         |         |      |      |      |
| 19-20 uur |         |           | H 2     | H 2     |         |      |      |      |



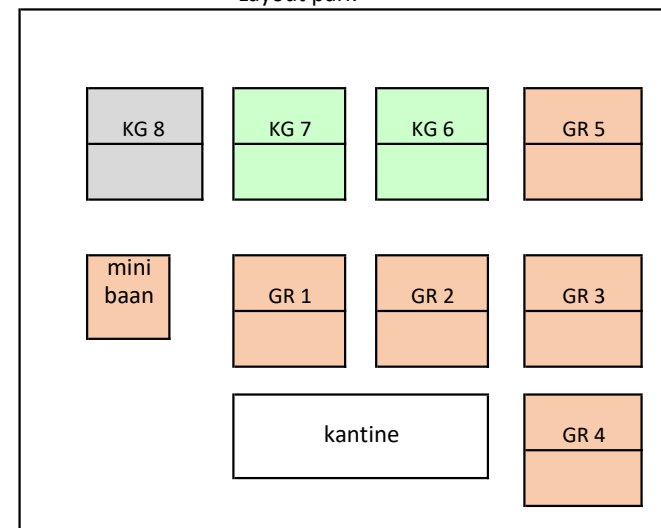
wedstrijdleiding: 9:00-13:30: Jeugdcommissie + technische commissie; 13:30-einde: Heren 2

| thuis team | baansoort | begintijd | tegenstander       | opmerking |
|------------|-----------|-----------|--------------------|-----------|
| ROOD 2     | GR        | 09:00     |                    |           |
| GROEN 2    | GR        | 09:00     | HEFSHUIZEN 1       |           |
| H 1        | KG        | 10:30     | DE VLIEGENDE BAL 1 |           |
| Jun14 1    | GR        | 10:30     | LEEWARDEN 2        |           |
| Jun14 2    | GR        | 10:30     | GRONINGER LTB 1    |           |
| J17 1      | GR        | 12:00     | KJLTC 1            |           |
| H 2        | GR        | 14:00     | GSTC 2             |           |
| Gem17 1    | GR        | 14:00     | VEENDAM 2          |           |

Speelschema zaterdag 24 mei 2025

|           | GR1  | GR2  | GR3 | GR4 | GR5 | KG 6 | KG 7 | KG 8 |
|-----------|------|------|-----|-----|-----|------|------|------|
| 9-10 uur  | GD 2 | GD 2 | D 1 | D 1 | D 1 | GD 1 | GD 1 |      |
| 10-11 uur |      |      |     |     |     |      |      |      |
| 11-12 uur | GD 2 | H 4  | H 4 | H 4 | D 1 | GD 1 | GD 1 |      |
| 12-13 uur | GD 2 | G 6  | G 6 | H 4 | D 1 |      |      |      |
| 13-14 uur |      |      |     |     |     | G 8  | G 8  |      |
| 14-15 uur | H 2  | H 4  | G 6 | H 4 | D 1 |      |      |      |
| 15-16 uur |      | G 6  | G 6 |     |     | G 8  |      |      |
| 16-17 uur | H 2  |      |     | H 6 | H 6 |      |      |      |
| 17-18 uur | H 2  | H 2  | H 6 | H 6 |     |      |      |      |
| 18-19 uur |      |      |     |     |     |      |      |      |
| 19-20 uur | H 2  | H 2  | H 6 | H 6 |     |      |      |      |

Layout park



competitieleider

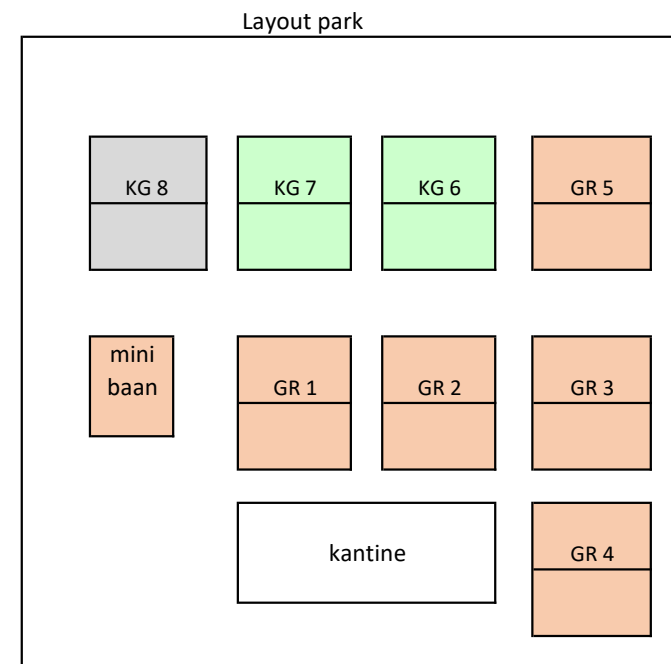
9:00-13.30: Gemengd dubbel 2

13:30-einde: Heren 2

| thuis team       | baansoort | begintijd | tegenstander | opmerking |
|------------------|-----------|-----------|--------------|-----------|
| Dames 1          | GR        | 09:00     | ZUIDLAREN 1  |           |
| Gemengd dubbel 2 | GR        | 09:00     | ZUIDLAREN 2  |           |
| Gemengd dubbel 1 | KG        | 09:00     | BEDUM 1      |           |
| Heren 4          | GR        | 10:30     | SLEEN 1      |           |
| Gemengd 6        | GR        | 12:00     | GSTC 3       |           |
| Heren 2          | GR        | 14:00     | REO 5        |           |
| Gemengd 8        | KG        | 13:00     | TRYNWALDEN 1 |           |
| Heren 6          | GR        | 15:30     | VERACKET 4   |           |
| Gemengd 1        | extern    | 09:00     | TAM 2        | Winsum    |
| Gemengd 4        | extern    | 09:00     | TAM 6        | Winsum    |

Speelschema zondag 25 mei 2025

|           | GR1      | GR2      | GR3      | GR4   | GR5   | KG 6    | KG 7    | KG 8 |
|-----------|----------|----------|----------|-------|-------|---------|---------|------|
| 9-10 uur  |          |          |          | J17 2 | J17 2 | ROOD 1  | ROOD 1  |      |
| 10-11 uur | ORANJE 2 | ORANJE 2 | ORANJE 2 |       |       |         |         |      |
| 11-12 uur |          |          |          | J17 2 | J17 2 | Gem17 2 | Gem17 2 |      |
| 12-13 uur | GROEN 1  | GROEN 1  | M17 1    | J17 2 | J17 2 | Gem17 2 | Gem17 2 |      |
| 13-14 uur |          |          | M17 1    | M17 1 | M17 1 | Gem17 2 | Gem17 2 |      |
| 14-15 uur | G 1      | G 1      |          |       |       |         |         |      |
| 15-16 uur |          |          | M17 1    |       | M17 1 |         |         |      |
| 16-17 uur | G 1      | G 2      |          | G 2   |       | G 3     | G 3     |      |
| 17-18 uur | G 1      | G 1      |          | G 2   |       | G 3     |         |      |
| 18-19 uur |          |          |          |       |       |         |         |      |
| 19-20 uur |          | G 2      |          | G 2   |       | G 3     | G 3     |      |



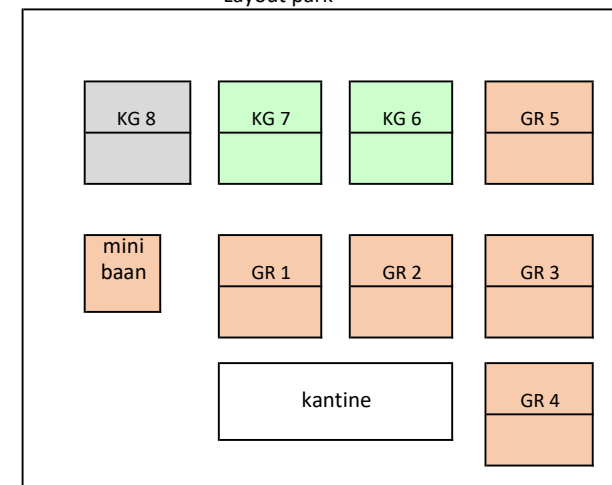
wedstrijdleiding: 9:00-13:30: Jeugdcommissie + technische commissie; 13:30-einde: Gemengd 1

| thuis team | baansoort | begintijd | tegenstander      | opmerking |
|------------|-----------|-----------|-------------------|-----------|
| ROOD 1     | KG        | 09:00     |                   |           |
| ORANJE 2   | GR        | 09:00     |                   |           |
| J17 2      | GR        | 09:00     | GRONINGER LTB 2   |           |
| Gem17 2    | KG        | 10:30     | DE STIRUM 2       |           |
| GROEN 1    | GR        | 11:30     | HAREN GN 2        |           |
| M17 1      | GR        | 12:00     | TCO-OOSTERWOLDE 1 |           |
| G 1        | GR        | 14:00     | MEPPEL 1          |           |
| G 2        | GR        | 15:30     | CREAM CRACKERS 1  |           |
| G 3        | KG        | 15:30     | REO 3             |           |

Speelschema zaterdag 31 mei 2025

|           | GR1     | GR2  | GR3     | GR4 | GR5 | KG 6   | KG 7   | KG 8 |
|-----------|---------|------|---------|-----|-----|--------|--------|------|
| 9-10 uur  | GD 1    | GD 1 | G 5     | H 1 | G 5 |        |        |      |
| 10-11 uur |         |      |         |     |     |        |        |      |
| 11-12 uur | GD 1    | H 1  | H 1     | H 1 | G 5 | H35+ 1 | H35+ 1 |      |
| 12-13 uur | GD 1    | H 1  | G 5     | H 1 | G 5 | H35+ 1 | H35+ 1 |      |
| 13-14 uur |         |      |         |     |     |        |        |      |
| 14-15 uur | G 8     | G 8  | H 3     | H 3 | H 3 | H35+ 1 | H35+ 1 |      |
| 15-16 uur |         |      |         |     |     |        |        |      |
| 16-17 uur | G 8     | G 6  | GD35+ 1 | G 6 | H 3 |        |        |      |
| 17-18 uur | G 8     | G 8  | GD35+ 1 | G 6 | H 3 |        |        |      |
| 18-19 uur |         |      |         |     |     |        |        |      |
| 19-20 uur | GD35+ 1 | G 6  | GD35+ 1 | G 6 | H 3 |        |        |      |

Layout park



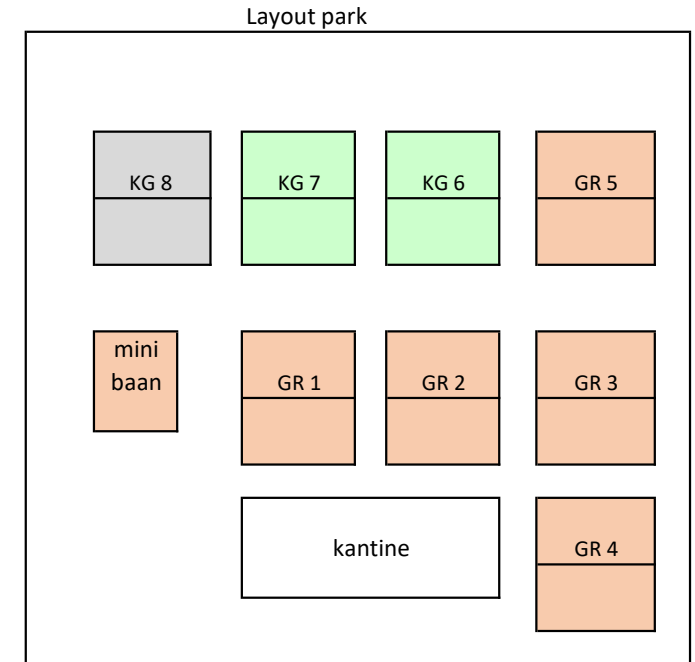
competitieleader

9:00-13.30: Heren 1  
 13:30-einde: Gemengd 8

| thuis team           | baansoort | begintijd | tegenstander      | opmerking |
|----------------------|-----------|-----------|-------------------|-----------|
| Gemengd 5            | GR        | 09:00     | GRONINGER LTB 9   |           |
| Gemengd dubbel 1     | GR        | 09:00     | DLTC-DRACHTEN 1   |           |
| Heren 1              | GR        | 09:00     | DE MARSCH 1       |           |
| Heren 35+ 1          | KG        | 10:30     | TSO 1             |           |
| Gemengd 8            | GR        | 14:00     | SMASH-OOSTEREND 1 |           |
| Heren 3              | GR        | 14:00     | GSTC 1            |           |
| Gemengd 35+ dubbel 1 | GR        | 15:30     | ODIVIA-EENRUM 2   |           |
| Gemengd 6            | GR        | 15:30     | VERACKET 7        |           |
| Dames 35+ dubbel 2   | extern    | 09:00     | NIENOORD 2        | Winsum    |
| Gemengd 2            | extern    | 09:00     | JUBBEGA 1         | Winsum    |

Speelschema zondag 1 juni 2025

|           | GR1      | GR2      | GR3      | GR4     | GR5     | KG 6  | KG 7  | KG 8 |
|-----------|----------|----------|----------|---------|---------|-------|-------|------|
| 9-10 uur  |          |          |          | Gem17 1 | Gem17 1 | J17 3 | J17 3 |      |
| 10-11 uur | ORANJE 1 | ORANJE 1 | ORANJE 1 |         |         |       |       |      |
| 11-12 uur |          |          |          | Gem17 1 | Gem17 1 | J17 3 | J17 3 |      |
| 12-13 uur |          | Jun14 1  | Jun14 1  | Gem17 1 | Gem17 1 | J17 3 | J17 3 |      |
| 13-14 uur | J17 1    |          |          |         |         |       |       |      |
| 14-15 uur | J17 1    | J17 1    | J17 2    | J17 1   | J17 2   | H 2   | H 2   |      |
| 15-16 uur |          |          |          |         |         |       |       |      |
| 16-17 uur | J17 1    | J17 1    | J17 2    | H 1     | J17 2   | H 2   | H 2   |      |
| 17-18 uur | H 1      | H 1      | J17 2    | H 1     | J17 2   | H 2   | H 2   |      |
| 18-19 uur |          |          |          |         |         |       |       |      |
| 19-20 uur | H 1      |          |          | H 1     |         |       |       |      |



wedstrijdleiding: 9:00-15:00: Jeugdcommissie + technische commissie; 15:00-einde: Heren 1

| thuis team | baansort | begintijd | tegenstander     | opmerking |
|------------|----------|-----------|------------------|-----------|
| ORANJE 1   | GR       | 09:00     |                  |           |
| Gem17 1    | GR       | 09:00     | APPELSCHA 1      |           |
| J17 3      | KG       | 09:00     | NIENOORD 1       |           |
| Jun14 1    | GR       | 11:30     | GRONINGER LTB 3  |           |
| J17 1      | GR       | 12:30     | DE HOOGKAMP 1    |           |
| J17 2      | GR       | 14:00     | CREAM CRACKERS 2 |           |
| H 2        | KG       | 14:00     | SMALHORST 1      |           |
| H 1        | GR       | 15:30     | T NYLAN 1        |           |